

Alfa-V VDD

Industrial dry coolers V-type

General information & application

The Alfa-V VDD series is a wide range of heavy duty V-type dry coolers for HVAC, refrigeration and various industrial applications such as water/glycol cooling.

For industrial applications, dry coolers are suitable for closed circuit cooling of various process liquids in f.i. food, power, process and general industries. Alfa-V VDD dry coolers provide high capacities at reduced power consumption and a compact footprint.

Capacity range* 100 up to 1800 kW

*water, EN1048.

Coil

The coil design provides excellent heat transfer. In standard execution dry coolers are fitted with smooth copper tubing \varnothing 12 and 16 mm (VDD) or stainless steel tubing 16 mm (VDDY).

Fins in aluminium or sea water resistant AlMg, plain fin design for easy cleaning and long-lasting performance.

Separate connections provide the opportunity for independent operation of both cooling coils.

Casing

Frame construction provides high rigidity for protection against vibration and thermal expansion. Casing, supports and frame made of corrosion resistant galvanized steel (class C4-H).

Separated fan sections and removable fan rings.

Fan motors

ErP compliant fan AC & EC motors, available in three fan diameters (800, 910 & 1000 mm) and different noise levels. Motors with external rotor, protection class IP54 according to DIN 40050.

AC power supplies 400/50/3, 400/60/3 and 460/60/3 with integrated thermo contacts to provide reliable protection against thermal overload. EC power supply 380-480/50-60/3.



Alfa-V VDD

Design pressure

Design pressure 10 bar. Each heat exchanger is leak tested with dry air.

Benefits

- Heavy duty design with high corrosion resistance.
- Favorable capacity/footprint ratio.
- Available with easily cleanable industrial fins.
- Excellent sound characteristics.
- Reliable performance, Eurovent certified.
- Easy installation & maintenance.
- Energy efficient - low total cost of ownership.
- Two-year product guarantee.
- Easy access to additional on-line product information (QR code).



Alfa-V VDD

Options

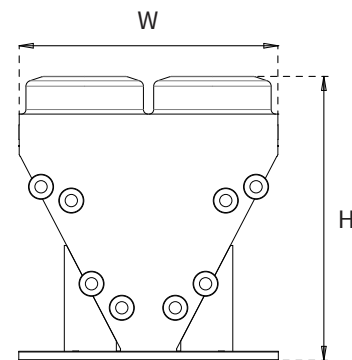
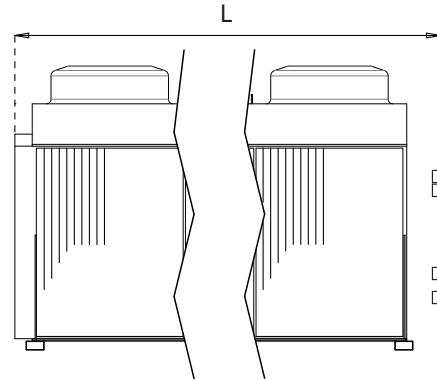
- Fin spacing up to 3.0 mm
- Coil corrosion protection
 - Epoxy coated aluminium fin (EP)
 - F-coat (FC)
 - Seawater resistant aluminium AlMg (SWR)
 - Industrial R-fin (RIF)
 - Epoxy coated aluminium R-fin (REP)
 - Seawater resistant aluminium AlMg R-fin (RSWR)
- Coil protection grid (GR)
- Spray Water kit (KW)
- Water Spray system including pumping station (SWS)
- Casing coated RAL 9002 (other colors on special request)
- Container skid (SK)
- Ladder and railings
- Vibration dampers (VD)
- Expansion tank (ET)
- Special fan motors
 - Protection class IP55
 - High-temperature motors
 - IEC standard motors
- Electrical accessories
 - Isolating switch (SW)
 - EC Motors wired to a common terminal box (CBP=connection box, CBMT=connection box and master controller+temperature signal)
 - Switchboard IP54 (BS)
 - AC fan speed control cabinet (BST)
 - EC fan speed control cabinet (ICM)
 - Basic EC switchboard panel (ECCB)

Code description

VDD	SE	90	4	.1	B	D	72	SK	C4	*	-	AL	2.1	CU	*
1	2	3	4	5	6	7	8	9	10	11		12	13	14	15

- Alfa-V dry cooler (VDD = standard Cu tube, VDD6 = 5/8" Cu, VDDY = 5/8" SS304)
- Sound level/fan code (T=turbo, S=standard, L=low, Q=quiet, R=residential, E=EC fan motor)
- Fan diameter (80=800, 90=910, 100=1000 mm)
- Number of fan pairs (2 to 9)
- Alfa-V series II
- Tube rows code (A, B, C, D)
- Fan motor connection (D=delta, Y=star)
- No of circuits
- Packing (SK=container skid)
- Case material
- Electrical accessories
- Fin material/coating (AL=aluminium, IF=industrial fins, SWR=AlMg, EP=epoxy coated aluminium, FC=F-coat, RIF=industrial R-fin, REP=epoxy coated aluminium R-fin, RSWR=AlMg R-fin)
- Fin spacing (2.0, 2.1, 2.3, 2.5, 3.0 mm)
- Tube material (CU=copper, SS=stainless steel)
- Options

Nr. of fan pairs	Dimensions mm		
	L	H	W
2	2940	2500	2230
3	4250	2500	2230
4	5560	2500	2230
5	6870	2500	2230
6	8190	2500	2230
7	9490	2500	2230
8	10800	2500	2230
9	12100	2500	2230



Selection

Selection and pricing is to be performed with our Alfa LU-VE air heat exchanger selection software. Selection output includes all relevant technical data and dimensional drawings.

Certifications

All VDD dry cooler models are "Eurovent Certify All" certified. The Alfa LU-VE quality system is in accordance with ISO 9001 and ISO 14001. All products are manufactured according to PED regulations.



How to contact Alfa LU-VE

Up-to-date Alfa LU-VE contact details for all countries are always available on our website at alfa.luvegroup.com